



Neoss[®]

Medentika Blanks



Solutions & Technical Information

Efficient in-house production of *customised abutments* with *precision you can trust*

Neoss Medentika Pre-Milled provide a balance of design flexibility and precision, enabling shorter machining times with two diameter options. This gives you the confidence to start in-house custom abutment milling, tailoring each solution to meet specific clinical needs.



- ✓ Maximum design freedom. Choose from two convenient blank diameters (11.5 mm and 16 mm) to create a wide range of customised abutment solutions.
- ✓ Precision of connection. Prefabricated, high precision implant-abutment connection with Neoss guarantee.

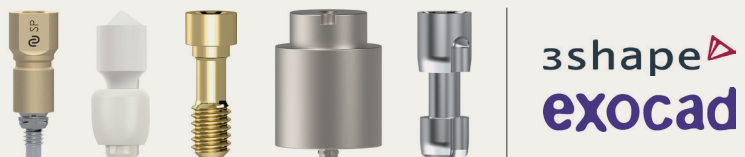
- ✓ Simplified design. The special design allows for easy emergence profile customisation, catering to your specific needs.
- ✓ Available materials. Select from biocompatible Titanium or CoCr to meet your individual requirements.

Turn your digital design into a *finished customised abutment in one day*

The Neoss InLab Library is an independent CAD library designed for the fabrication of customised abutments using stock pre-milled blanks with the original Neoss implant interface. It is intended for use with InLab milling machines and requires a dedicated blank holder, as well as compatible CAM integrations working in combination with this CAD library.

By using specially made 3shape & exocad InLab CAD Library

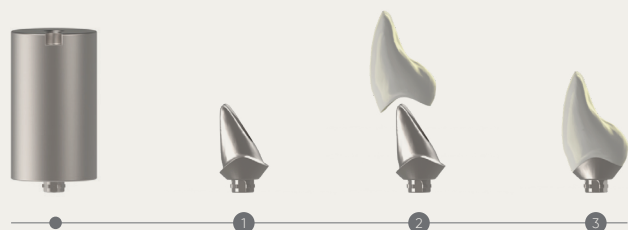
- ✓ Specially made for Neoss Medentika Pre-milled
- ✓ Controls the integrations with CAM and Medentika wide range of CAM holder and Pre-Milled holders.
- ✓ Free to download on Neoss Digital Downloads: <https://www.neoss.com/cad-libraries>



Streamlined InLab library for the Digital Workflow

By using specially made 3shape & exocad InLab CAD Library

- ✓ Enhances service offering and profitability with faster turnaround.
- ✓ Meets urgent case time and internal control of the workflow.
- ✓ Fast production cycle.

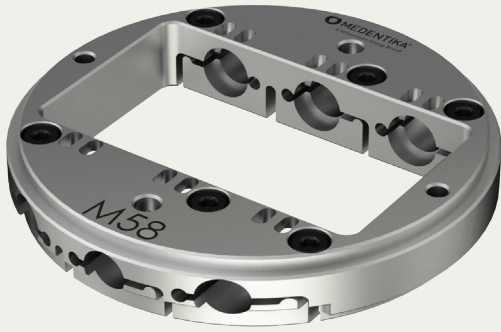


Possibilities for local production of customised abutment and crowns locally

Universal compatibility across leading CAM milling systems

Medentika holder M58

is a universal device and takes the form of a standardised material blank with a diameter of 98 mm disc holder.



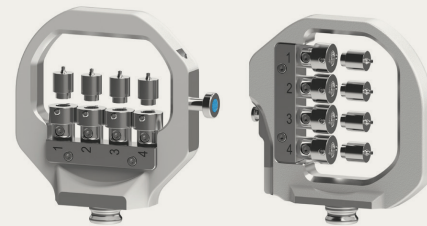
Integrated, compatible with these CAM machines:

- Datron
- Dental Concept DC1/DC5
- imes-icore
- MB Maschinen CobraMill
- Primacon PFM 24 mediMill
- R+K
- Röders RXD
- Sirona inLab MC X5
- VHF
- Wissner Gamma 202
- Yenadent
- DGSHAPE - DWX-42W
- Ivoclar AG
- ARUM DENTISTRY

Amann Girrbach CAM machines

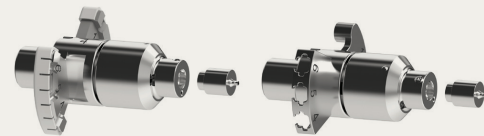
Special adapters have been integrated for the high-precision manufacturing process.

Adapters for processing the respective abutment blank manufacturers are available from Amann Girrbach and can be retrofitted for the blank holders of the Ceramill Motion 2/3 & Air, Ceramill Matik, as well as Ceramill Matron & Matron Core



Matron Core

Ceramill Matik

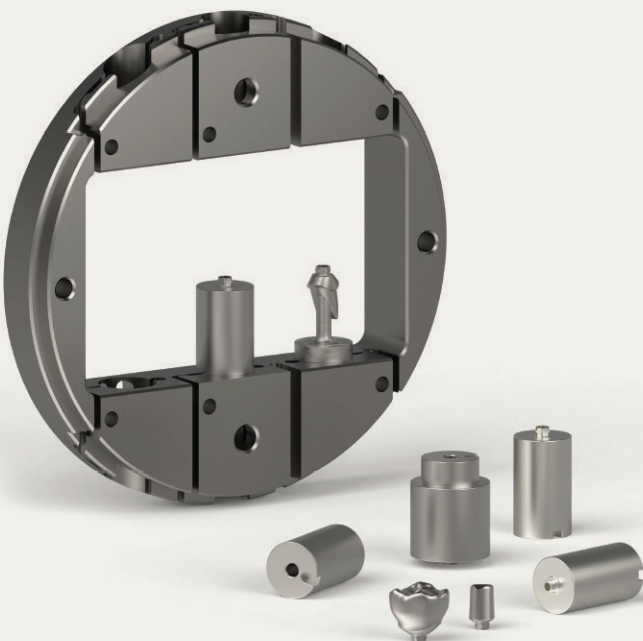


Ceramill Motion 2

Ceramill Motion 3

Various CAM software integrations have been completed. Please reach out to your CAM software provider to confirm the integration status and to check whether your CAM software needs to be updated or newly installed.

Mill up to six abutments in one run: faster production, higher efficiency



Pre-Milled Holders

Neoss Medentika Pre-Milled Abutment Holders are designed to enhance your production process, offering availability with all major machine manufacturers.

Allowing simultaneous machining of up to six pre-milled abutment blanks improves workflow efficiency and reduces production time.

- ✓ Streamlined workflow. Simultaneously machine up to six blanks in a single process for exceptional time savings.
- ✓ Simplified abutment attachment. Attach the abutment in the holder with just one screw for a secure and efficient workflow.
- ✓ Enhanced protection. Similar to pre-milled abutments, the holder design safeguards the implant interface during tightening.
- ✓ Minimal components. The simple design with fewer parts minimises production errors and reduces costs.
- ✓ Cost-effective investment. The straightforward design eliminates the need for expensive wearing parts, making pre-milled abutment holders an attractive investment

Neoss® Medentika Blanks

Each 5 – pcs includes 5 laboratory and 5 Prosthetics Screws
Available in Titanium and Cobalt Chrome

Art. No.	Description
31488	Neoss® Medentika Blank Ti SSC, Ø11.5 mm, SP – 5 pcs
31489	Neoss® Neoss Medentika Large Blank Ti SSC, Ø16 mm, SP – 5 pcs
31490	Neoss® Medentika Blank Ti SSC, Ø11.5 mm, NP – 5 pcs
31491	Neoss® Medentika Blank CoCr SSC, Ø11.5 mm, SP – 5 pcs
31492	Neoss® Medentika Blank CoCr SSC, Ø11.5 mm, NP – 5 pcs



Neoss Medentika Blank
Ti SSC, Ø11.5 mm, SP



Neoss Medentika Large Blank
Ti SSC, Ø16 mm, SP



Neoss Medentika Blank
Ti SSC, Ø11.5 mm, NP



Neoss Medentika Blank
CoCr SSC, Ø11.5 mm, SP



Neoss Medentika Blank
CoCr SSC, Ø11.5 mm, NP

Order your products
24/7 in our Online Stores



Australia
at shop-au.neoss.com



New Zealand
at shop-nz.neoss.com

Australia & New Zealand OFFICE

Neoss Australia Pty Ltd.

John Oxley Centre, 339 Coronation Drive
Milton QLD 4064 Australia

T: +61 7 3216 0165

E: info.au@neoss.com

For our Terms & Conditions consult your local website on
www.neoss.com

Contact your local representative for product availability details.
All products are not available in every market.

17517_1 EN 26-06 © Neoss Group, 2026. Copyrights, design rights and trademarks, Neoss documents, software and designs may not be reprinted, copied or published in whole or part, without the written authorisation of Neoss Group. Neoss and the N logo are registered trademarks of Neoss Group. NeoScan™, NeoPro™, and NeoConnect™ are trademarks of Neoss Group.